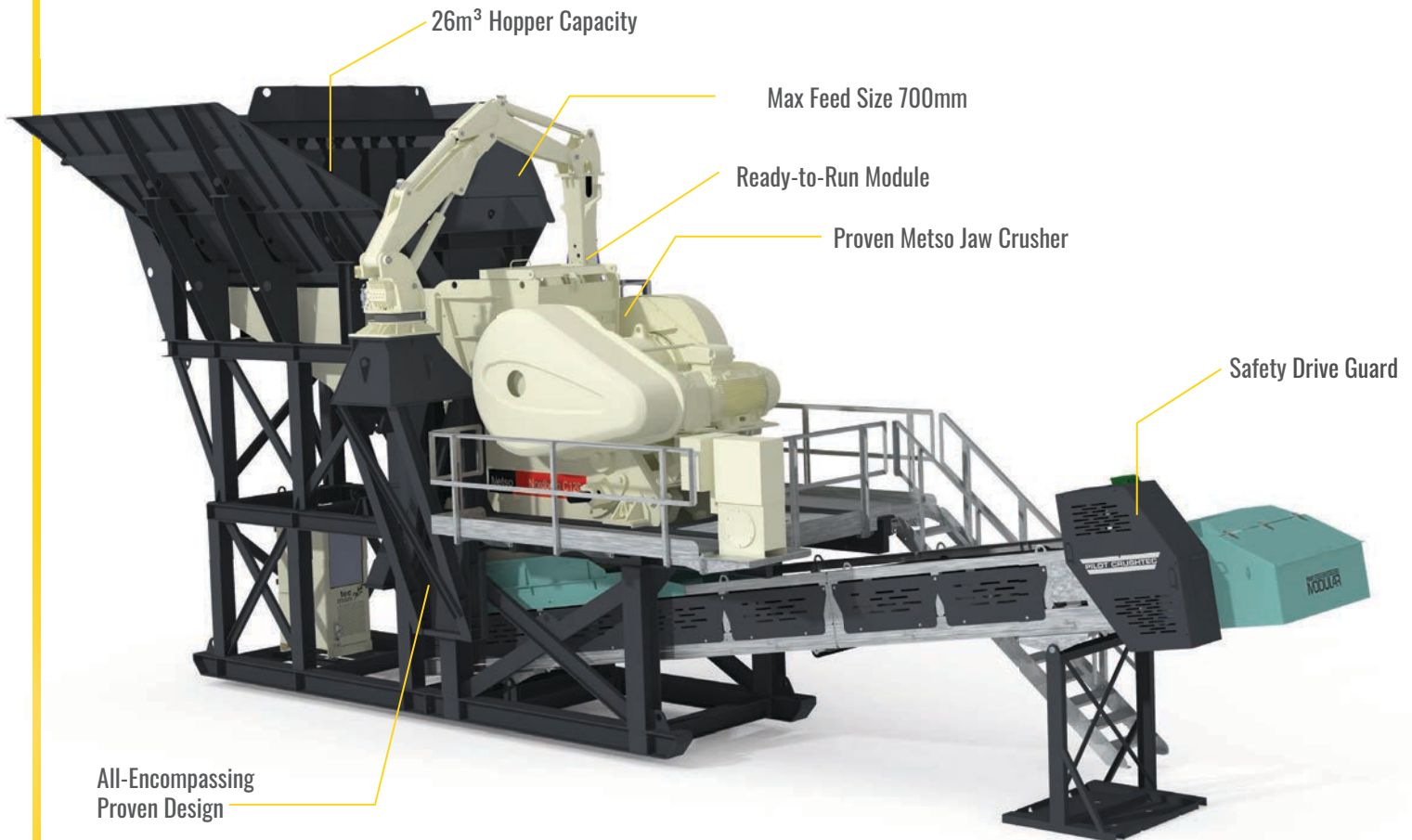


SPECIFICATION SHEET

C120 METSO JAW CRUSHING MODULE



The Pilot Modular Metso C120 Primary Jaw Crusher Module is a complete plug and play all-round primary jaw crusher module which is used as a heavy-duty primary crusher.

The Module is supplied complete with a 26m³ feed hopper, Metso TK-11 vibrating grizzly feeder, Metso C120 Jaw crusher, rubber mounting on sub frame and skid structure with galvanised handrails, walkways, staircase and includes a Take-out conveyor to suit the crusher discharge. This complete primary jaw crusher module has a heavy duty, modular design and is pre-assembled in our facility and transported pre-assembled, with the intention of rapid assembly on-site without the need for any cutting, welding or modifications.

PRODUCT NAME: Pilot Modular C120 Jaw Crushing Module
DOCUMENT NO: PCS-07-02-96
REV: 04
DATE: 26/11/2025

PILOT CRUSHTEC[®]
More than machines, we build trust.

TECHNICAL SPECIFICATIONS

C120 METSO JAW CRUSHING MODULE

JAW CRUSHER: METSO C120

Feed Opening	1200mm x 870mm
Flywheels	Left hand side, 8 Groove type SPB
Adjustment	Hydraulic wedge adjustment
Jaw Plates	Reversible manganese alloy jaw plate
Guarding	Drive guard covering flywheel and V-Belts, Non-drive flywheel covered
Max Feed Size	700mm, 800mm with the Rock Breaker Attachment
Closed Side Setting	70mm up to 175mm
Capacity	175tph up to 595tph
Operating Speed	220rpm – 235rpm
Power	160kW, 6 Pole, 380V electric motor
Accessories	Integral motor support, tools for service and maintenance

VIBRATING GRIZZLY FEEDER: METSO TK-11 42-2-2V

Feeder Size	1100mm x 4200mm
Grizzly Aperture	70mm as standard (Available options: 38mm, 50mm, 52mm, 90mm)
Mesh Screen Aperture	35mm as standard (Available options: 25mm)
Drive	Vibrator motor
Power	2 x 4 kW 380V out of balance motor Metso TK11, 1100mm x 4200mm

SKID FRAME

Frame	Heavy duty support structure
Hopper	26m ³ Heavy duty hopper with wear resistant liners, welded on
Truck recommendation	Max 20 Tons
Accessories	Access ladder, handrails and safety guards, crusher inspection platform, trouser chute for grizzly undersize removal, wrap around walkway for maintenance

TAKE-OUT CONVEYOR

Belt	1200mm, Class 500 / 4 ply, 5mm top cover, 1.6mm bottom cover
Conveyor Length	12m nominal
Belt Adjustment	Screw type at the tail drum
Guarding	Fully guarded at drive, tail and along conveyor sides
Load in	Custom feed boot with impact bars under crusher discharge
Speed	1.8m/s
Power	22kW, 4 Pole, 380V electric motor
Accessories	Backstop fitted to drive gearbox, wrap around safety trip wires

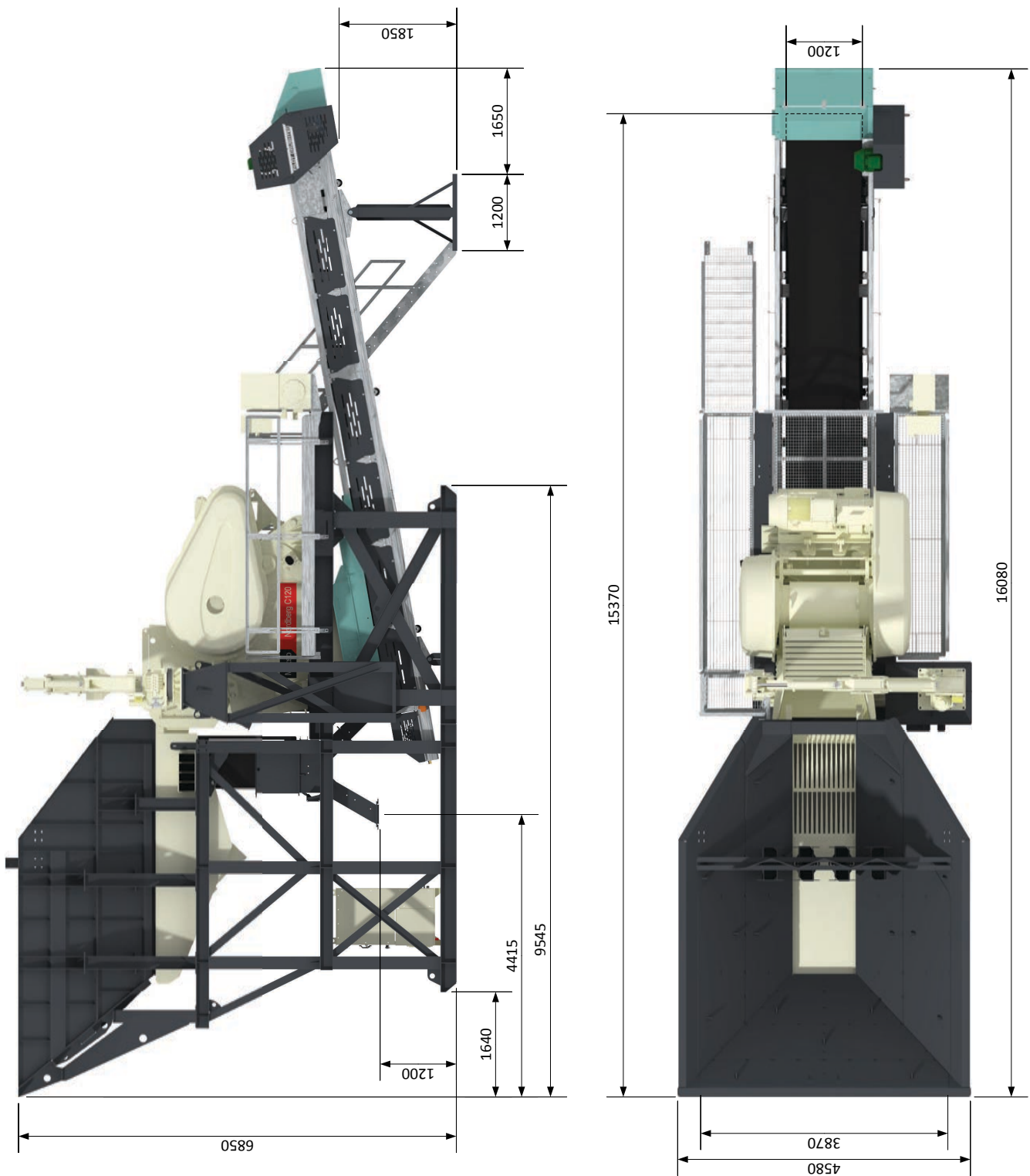
Weight

Estimated	62 000kg approximate
-----------	----------------------

All reasonable steps have been taken to ensure the accuracy of the publication, however, due to Pilot Crushtec International's policy of continual product development, we reserve the right to make changes in specifications shown herein or improvements at any time without notice or obligation. All capacities and feed size are provided as an application aid only. No warranties are expressed or implied.

C120 METSO JAW CRUSHING

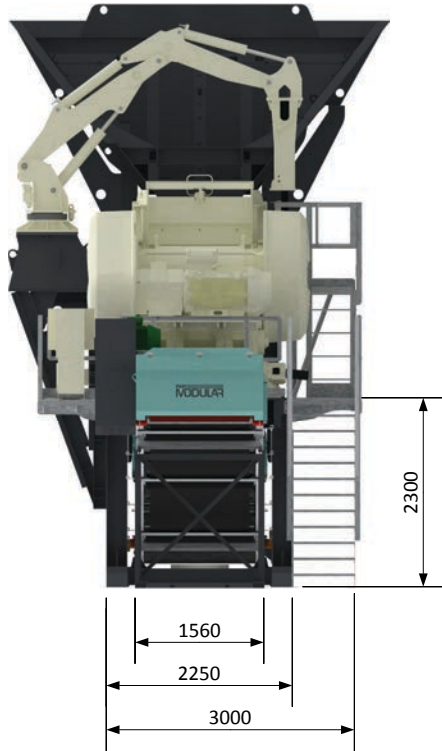
WORKING DIMENSIONS



All reasonable steps have been taken to ensure the accuracy of the publication, however, due to Pilot Crushtec International's policy of continual product development, we reserve the right to make changes in specifications shown herein or improvements at any time without notice or obligation. All capacities and feed size are provided as an application aid only. No warranties are expressed or implied.

C106 METSO JAW CRUSHING

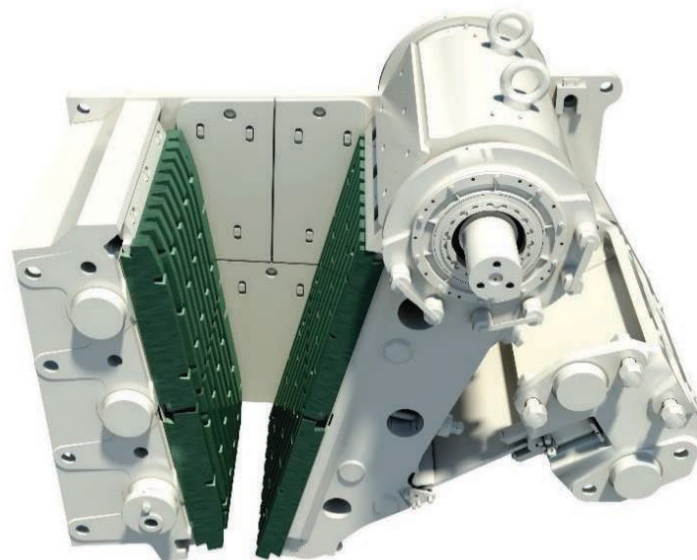
WORKING DIMENSIONS



APPROXIMATE WEIGHT

Jaw Crusher station	62 000kg
Take-Out Conveyor	10 200kg

MODULAR C120 ADJUSTABLE JAW CRUSHER



All reasonable steps have been taken to ensure the accuracy of the publication, however, due to Pilot Crushtec International's policy of continual product development, we reserve the right to make changes in specifications shown herein or improvements at any time without notice or obligation. All capacities and feed size are provided as an application aid only. No warranties are expressed or implied.